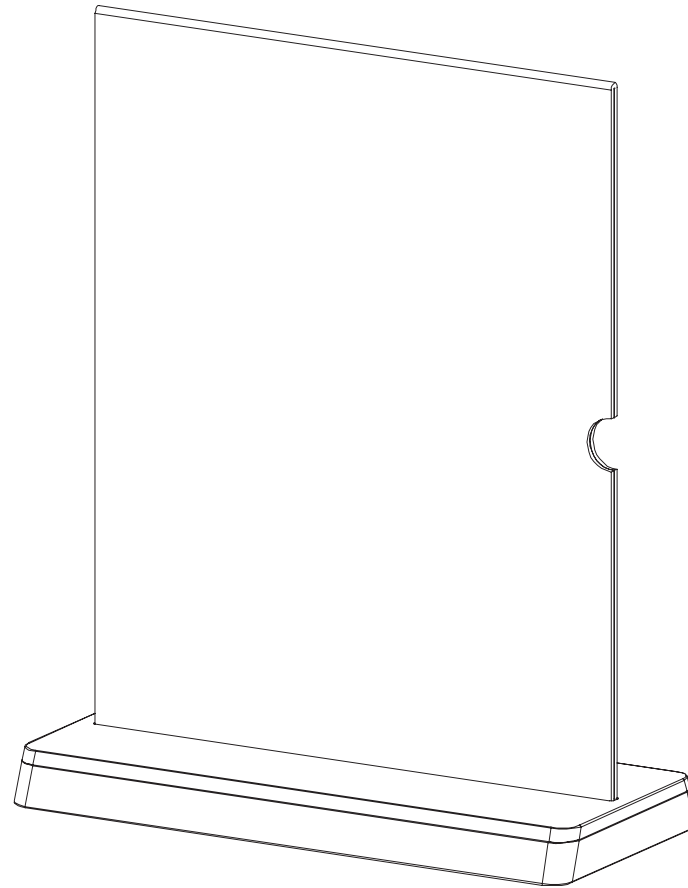


**Please contact your local  
Titleist Representative before  
discarding this display.**

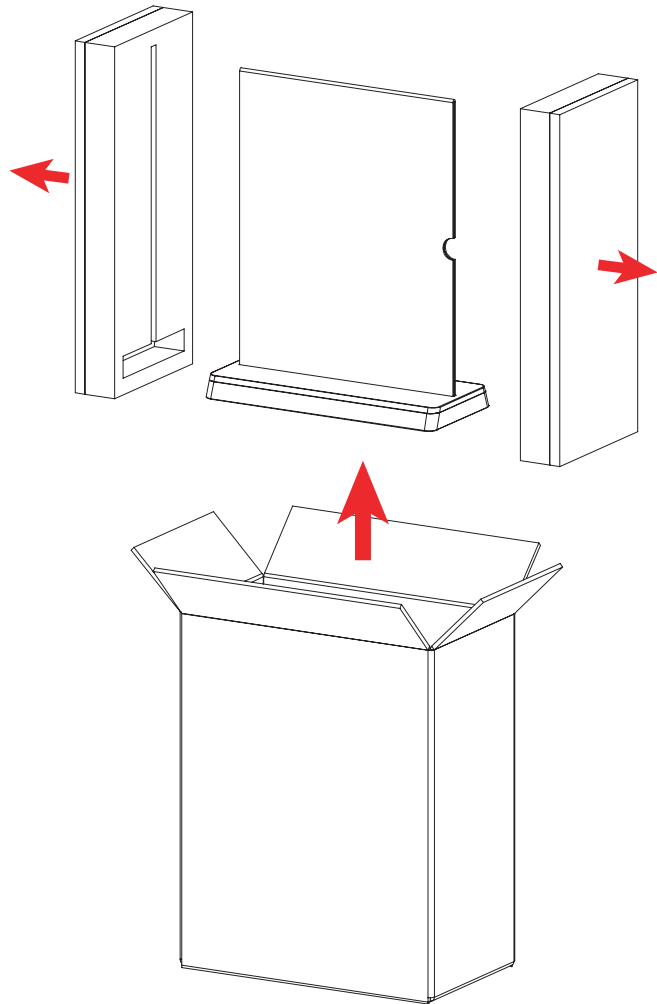


INSTALLATION GUIDE | 10.2022

## **UC100569 Titleist acrylic sign display**

## Installation Instructions

1



Take out the display with EPE protectors together from crate, then discard EPE protectors off the display.

2

**IMPORTANT**-Once the installation is complete please scan the QR code below or on the display to register this display

