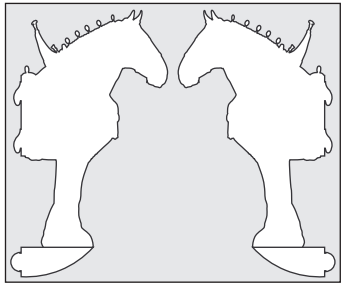
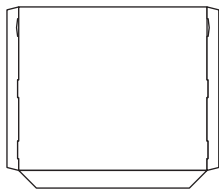


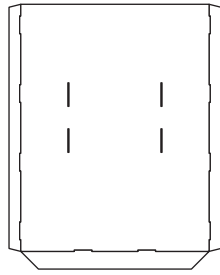
**PARTS: PRE-BREAK ALL SCORES**



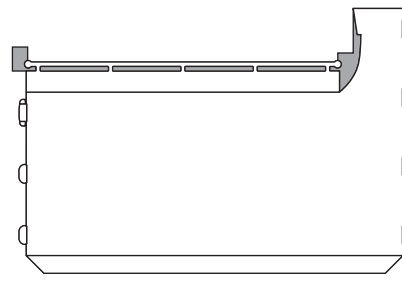
RIGHT HORSE LEFT HORSE



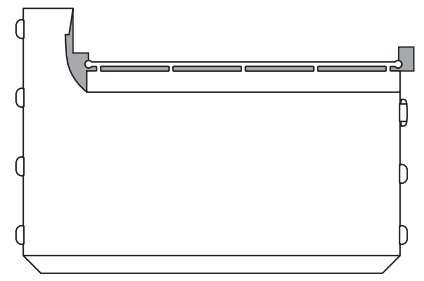
REAR WALL



FRONT WALL



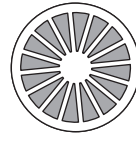
RIGHT SIDE WALL



LEFT SIDE WALL



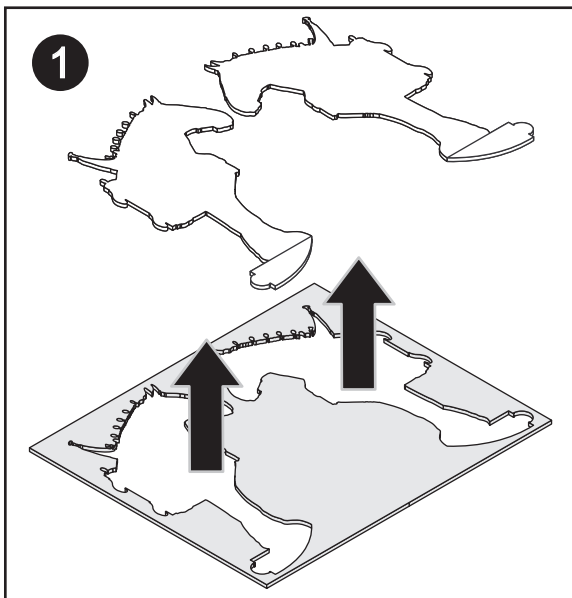
BASE PAD



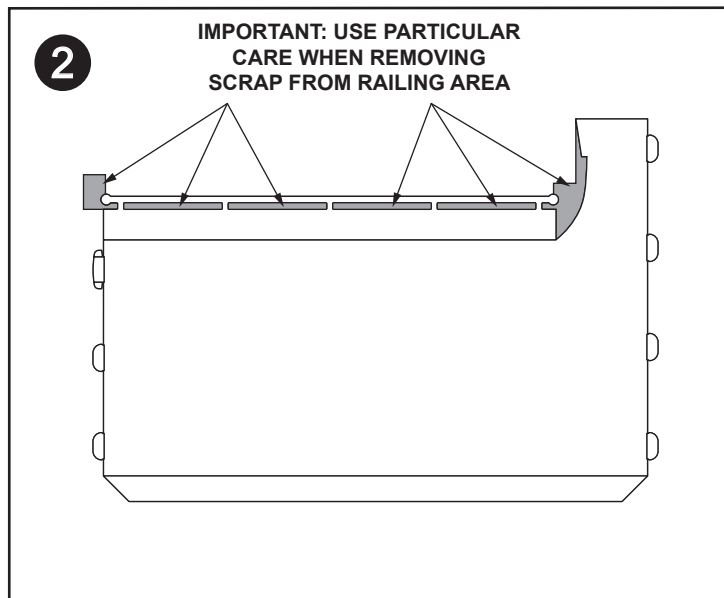
REAR WHEEL (2)



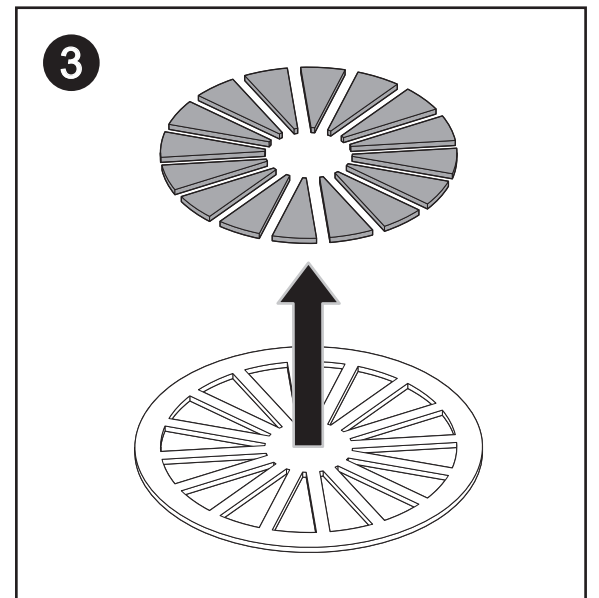
FRONT WHEEL (2)



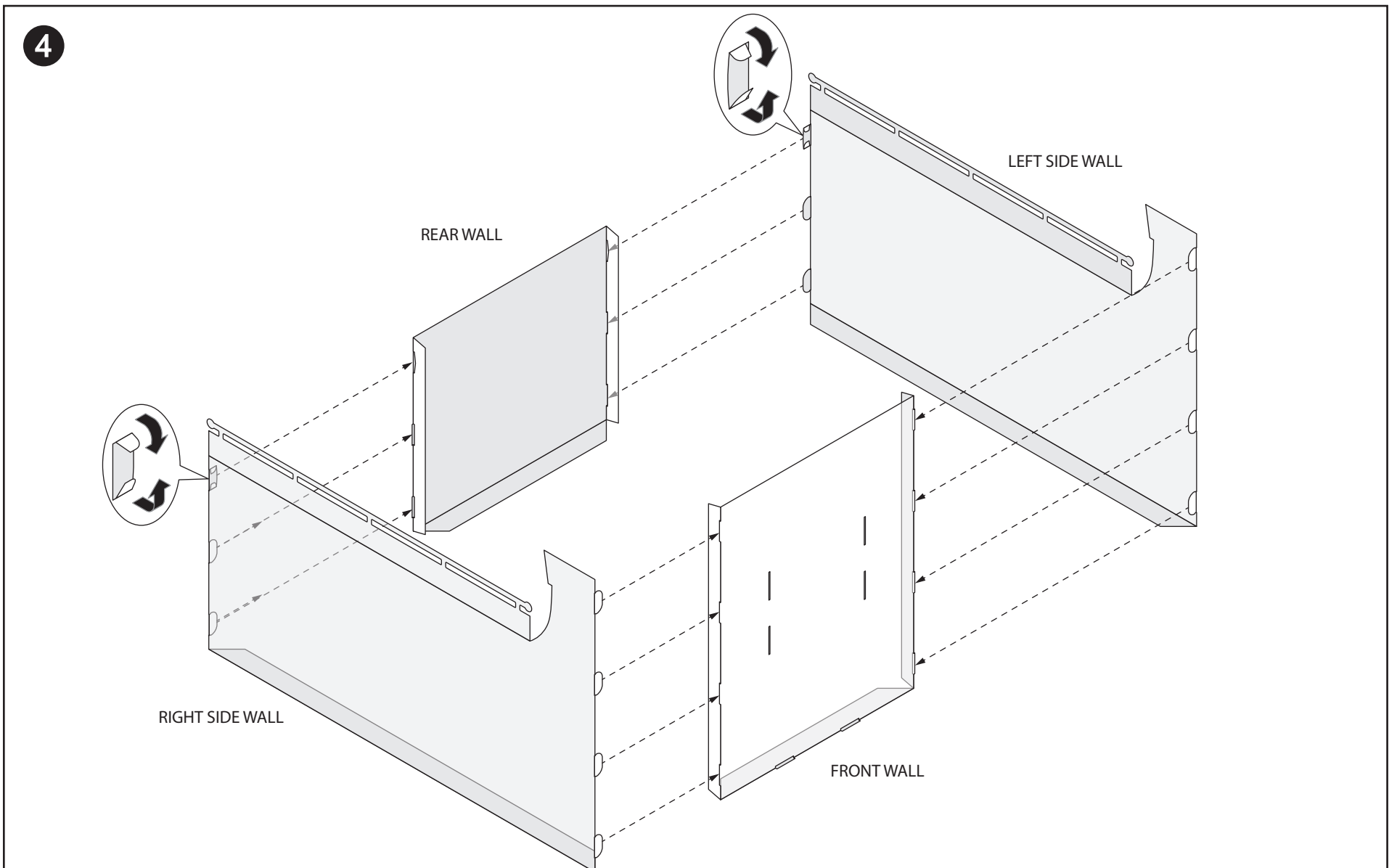
**1** **CAREFULLY** Remove the scrap surrounding the Left and Right Horse pieces. **Do NOT damage any part of either horse piece!**



**2** **CAREFULLY** Remove the scrap from around the Right Side piece. Be extremely careful when removing scrap from around the railings. Do not fold or damage any part of the piece. **REPEAT ON LEFT SIDE WALL.**

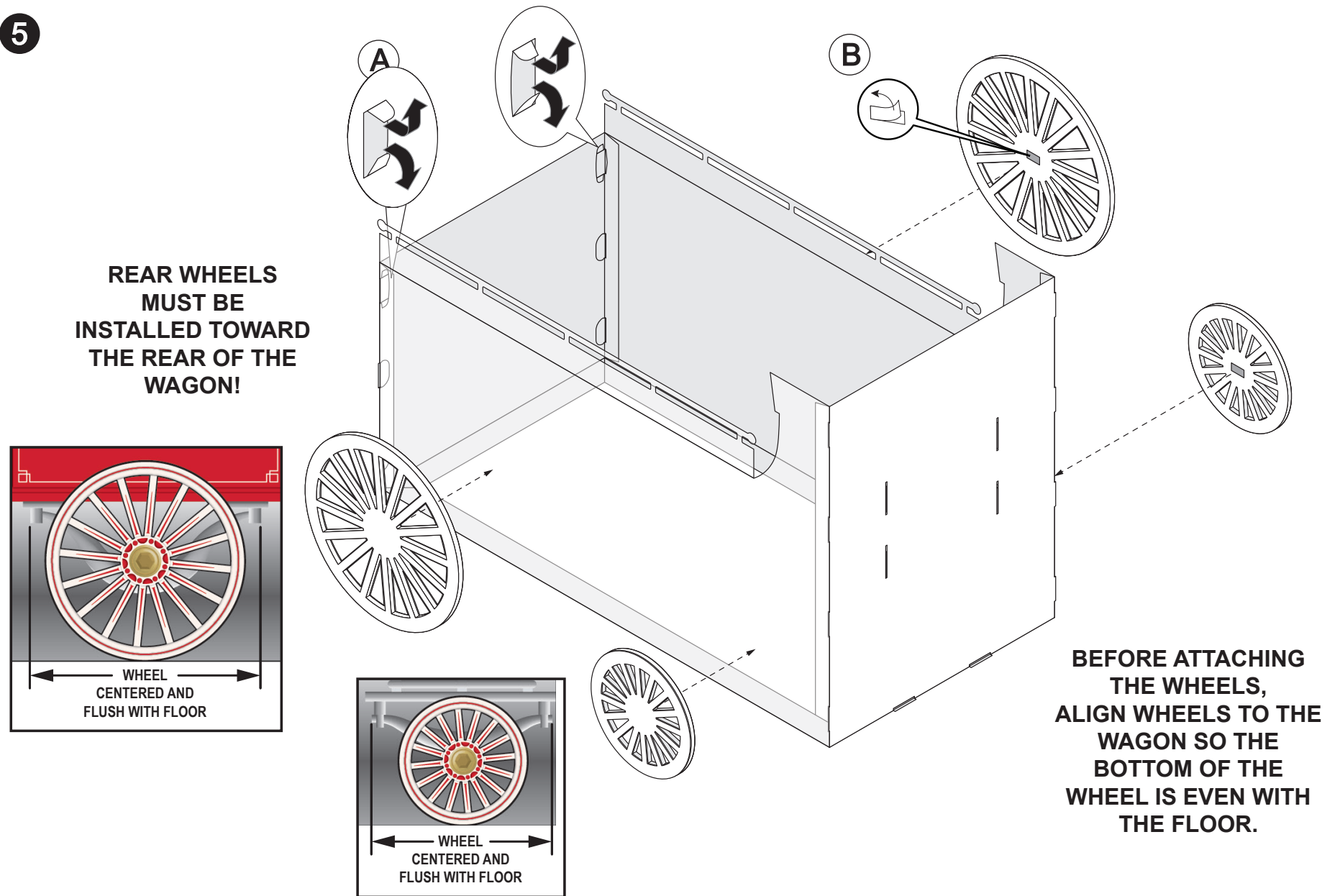


**3** **CAREFULLY** Remove the scrap surrounding the four wheel pieces. Be sure to remove the scrap from between the spokes as well.



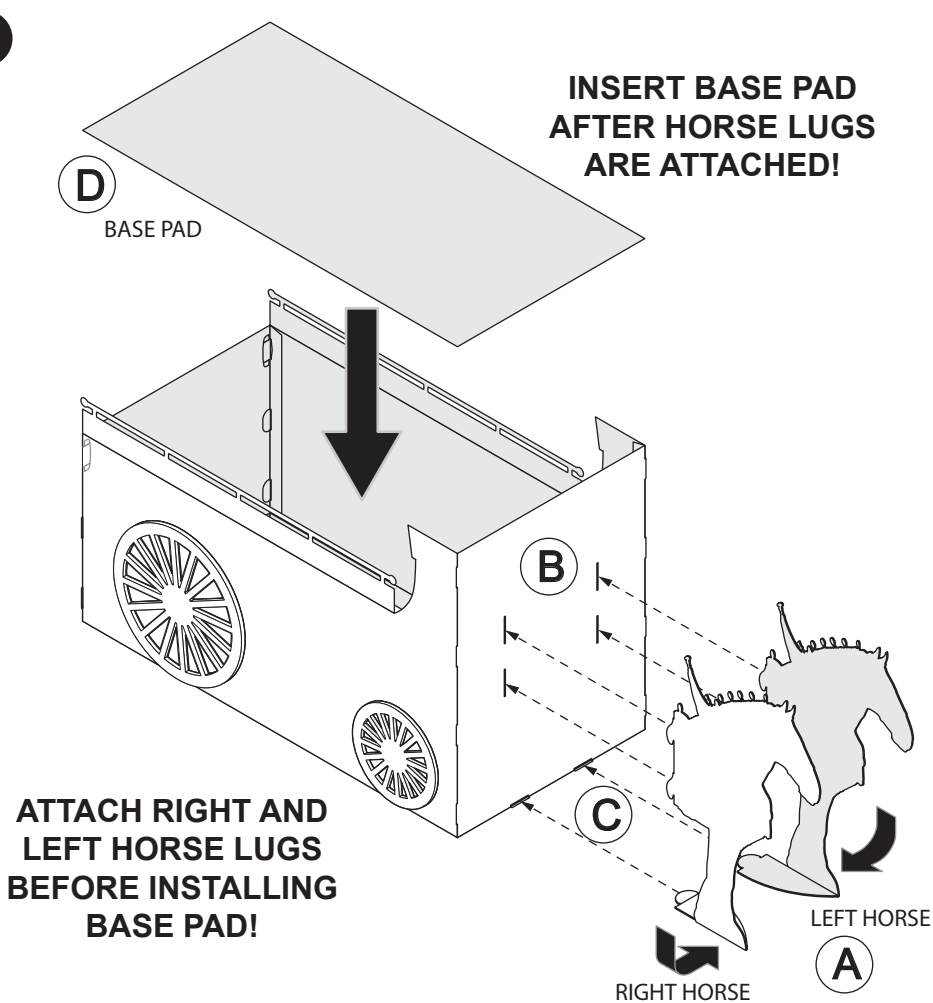
**4** Assemble the Wagon by connecting the Front, Back, Left, and Side wall pieces as shown. Make sure art is facing **OUT**. **Fold all bottom tabs INWARD.**

**5**



**(A)** Fold open the two wing tabs at the rear of the display as shown.  
**(B)** Remove protective film from the adhesive strip the back of the Wheel piece. Align the bottom of the wheel so it is flush to the floor and centered to the Side graphics as shown in the insets above. Attach the wheel to the Wagon and press to adhere fully.  
**ATTACH LARGER WHEELS TO THE REAR. ATTACH SMALLER WHEELS TO THE FRONT!**  
**REPEAT THIS PROCESS TO ATTACH REMAINING WHEELS.**

**6**



**(A)** CAREFULLY fold the bottom flap of the Right and Left Horse pieces inward.  
**(B)** Hook the upper two tabs of each Horse pieces into the vertical slots on the front of the wagon.  
**(C)** Insert the bottom tab of each Horse piece into the bottom slot.  
**(D)** Insert the Base Pad into the Wagon so it sits upon the front bottom tabs. Square the Wagon evenly for appearance.

**FINISHED DISPLAY**



**PLACE DISPLAY IN APPROPRIATE LOCATION. MAKE SURE THE WAGON IS SQUARED PROPERLY. LOAD DISPLAY WITH PRODUCT. DO NOT ATTEMPT TO RELOCATE DISPLAY ONCE LOADED WITH PRODUCT.**