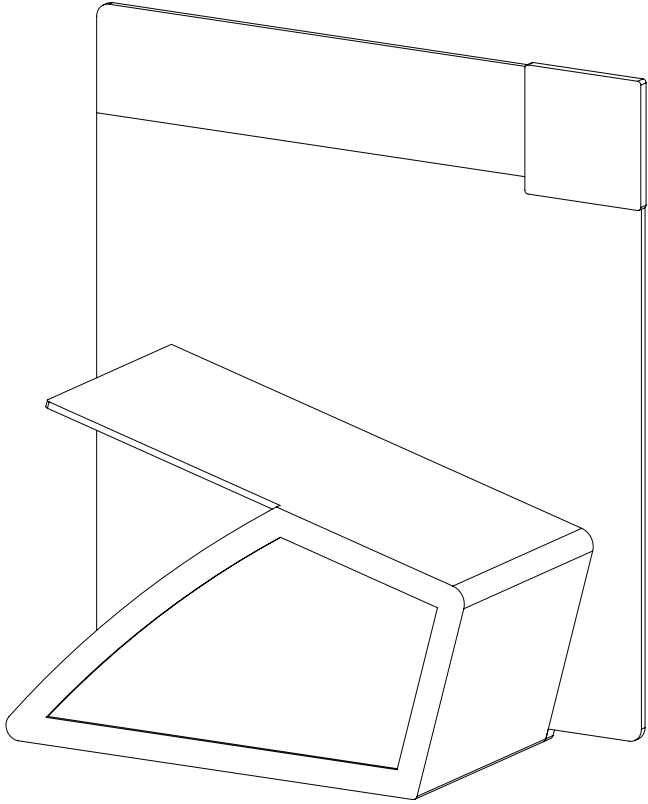


**Please contact your local  
FootJoy Representative  
before discarding this  
display.**

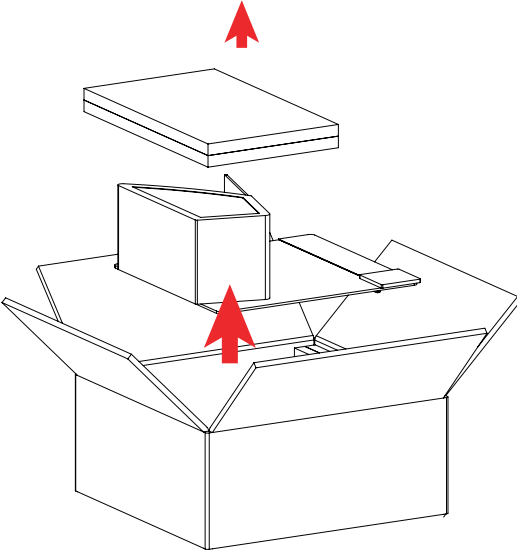


INSTALLATION GUIDE | 01.2023

# **HYPERFLEX CARBON LAUNCH DISPLAY**

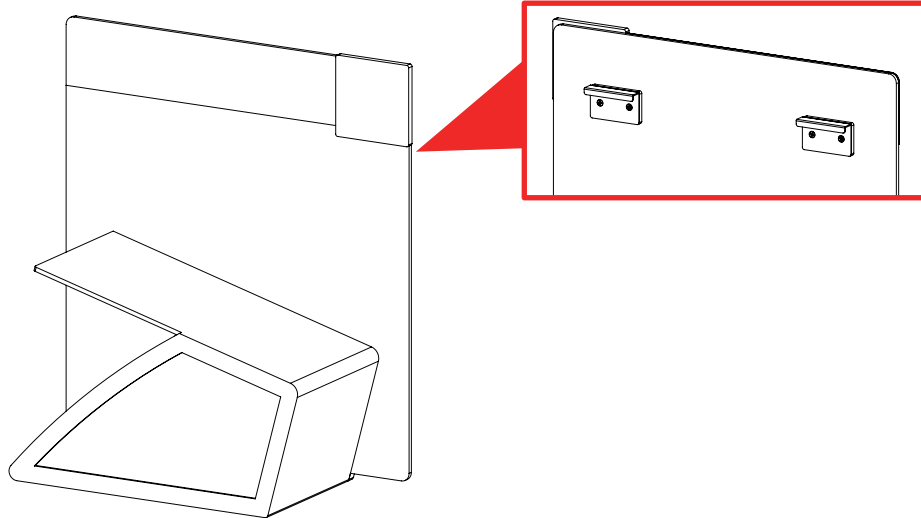
# Installation Instructions

**1**



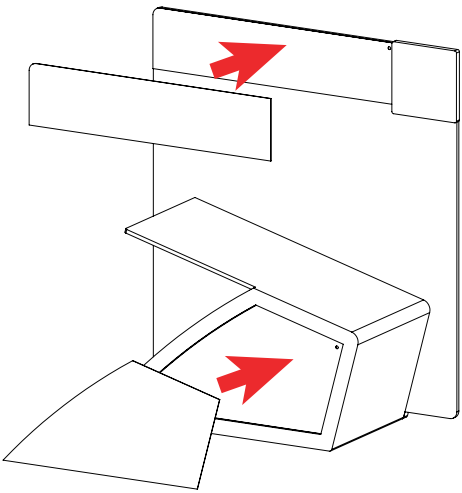
Take out the display with EPE protectors together from crate, then discard EPE protectors off the display.

**2**




Place the display directly on the desk or hook it onto the slatwall as above shown.

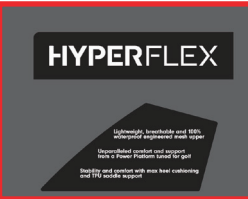
**3**



**Option 1**



**Option 2**



Two graphic options for selection.

**4**

**IMPORTANT**-Once the installation is complete please scan the QR code below or on the display to register this display

