

**Please contact your local
Titleist Representative before
discarding this display.**



INSTALLATION GUIDE | 10.2022

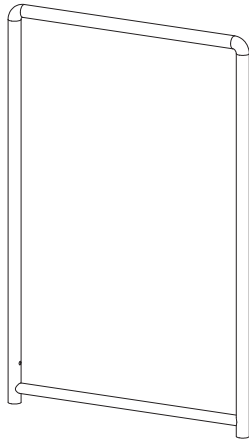
UJ220048-E 2023 PROV1 PREMIUM STANDEES

INFORMATION

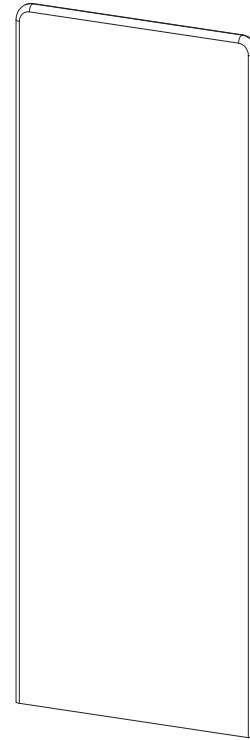
Installation package



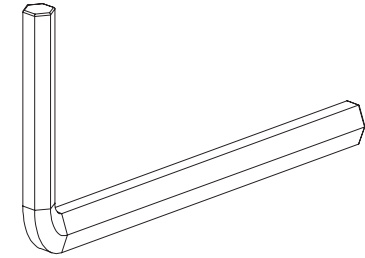
Bottom tube section (x2)



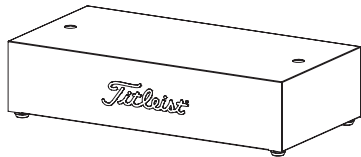
Top U shaped section (x1)



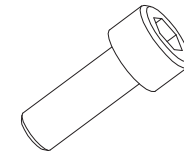
Fabric graphic (x1)



Hex spanner (x1)



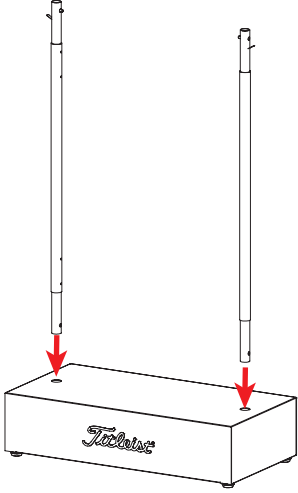
Base plate (x1)



M6x35 hex bolt (x4)

Installation Instructions

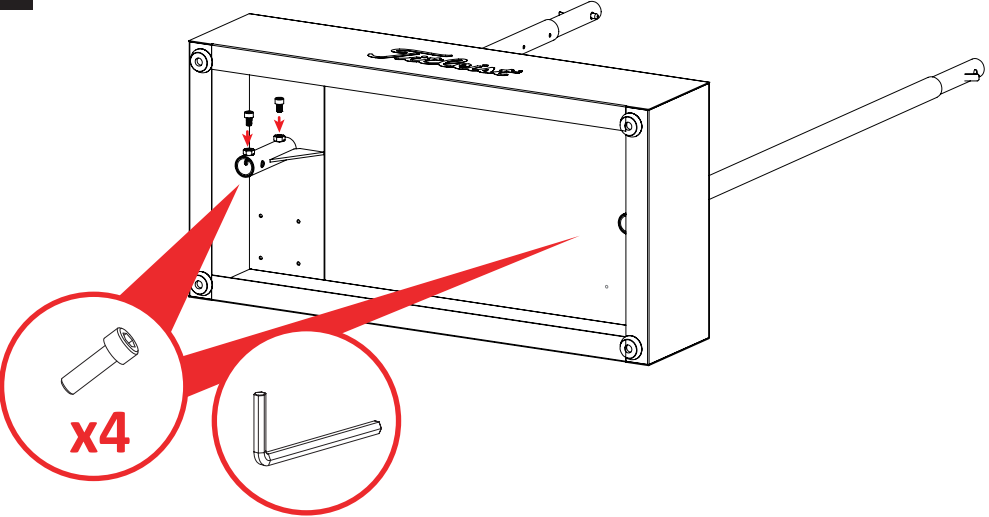
1



1. Insert two bottom tubes into the base plate.

Detailed description: A line drawing of a rectangular base plate with the 'Tobias' logo on the front. Two vertical tubes are shown being inserted into the top surface of the base plate, indicated by red arrows pointing downwards.

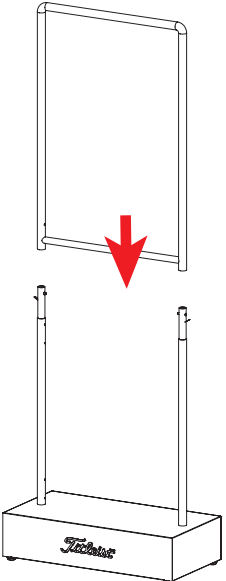
2



2. Flip the base plate, secure the 4 screws.

Detailed description: A line drawing of the base plate being flipped over. Four screws are shown being inserted into the corners. Two circular callouts provide details: one shows a screw with the text 'x4' below it, and the other shows an L-shaped corner bracket.

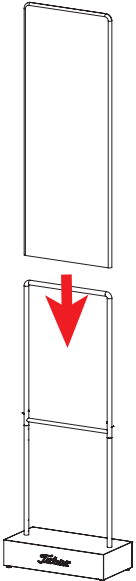
3



3. Insert U shape metal tube.

Detailed description: A line drawing of a U-shaped metal tube being lowered into the two vertical tubes that were previously inserted into the base plate. A red arrow points downwards to indicate the direction of insertion.

4

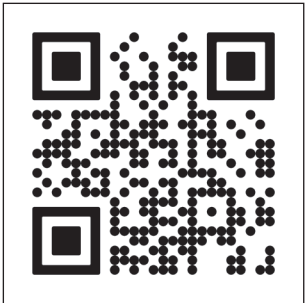


4. Place the fabric graphic onto the metal tube.

Detailed description: A line drawing of a rectangular fabric graphic being placed onto the U-shaped metal tube. A red arrow points downwards to indicate the placement.

4

IMPORTANT-Once the installation is complete please scan the QR code below or on the display to register this display



Detailed description: A square QR code used for product registration.