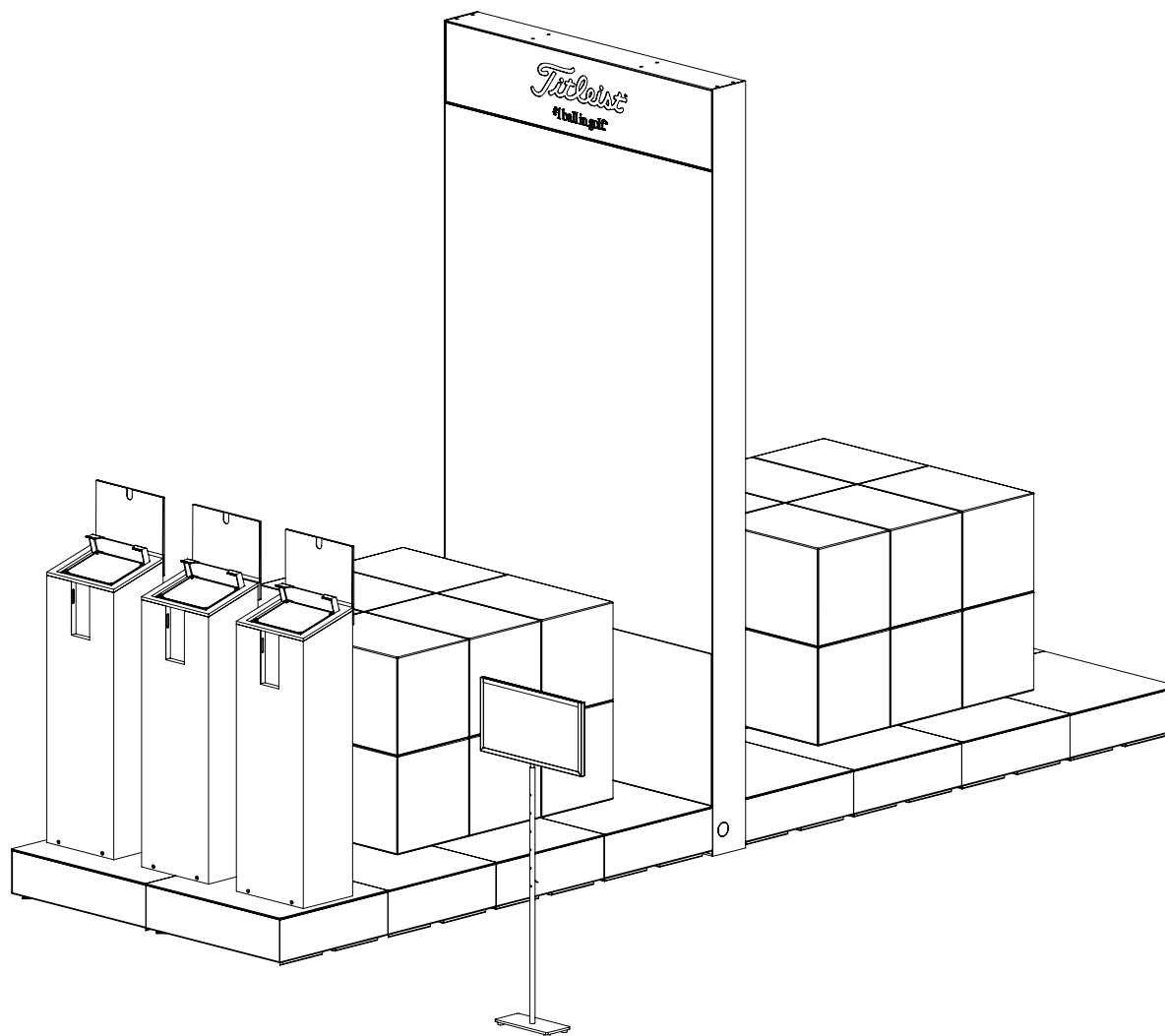


UA210193-C

Titleist

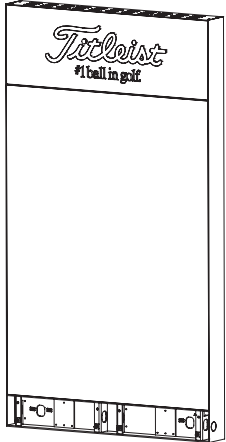


INSTALLATION GUIDE | 10.2022

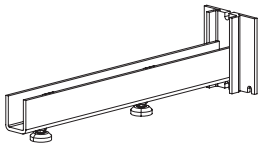
TITLEIST ISLAND DISPLAY 7' DIVIDER

INFORMATION

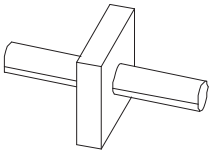
Installation package



Divider (x1)



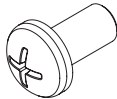
Support Feet (x4)



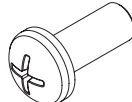
Bolt



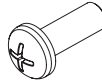
Wing Nut



M6X12 Screw



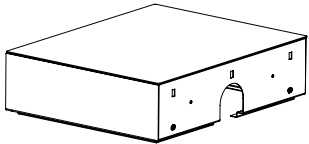
M6X16 Screw



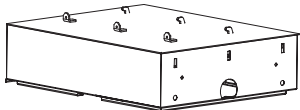
M5X16 Flat Screw



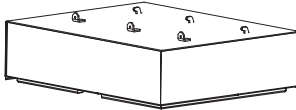
M4X12 Flat Screw



Tile (x12)



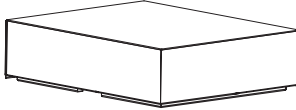
Left End Tile (x1)



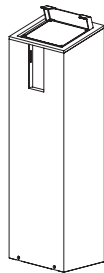
Right End Tile (x1)



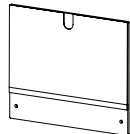
Left End Tile (x1)



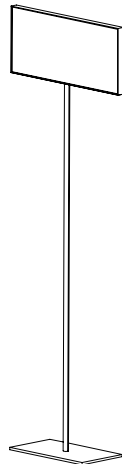
Right End Tile (x1)



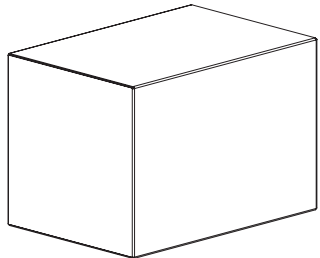
Short pedestal (x3)



Sign Holder With Graphic (x3)



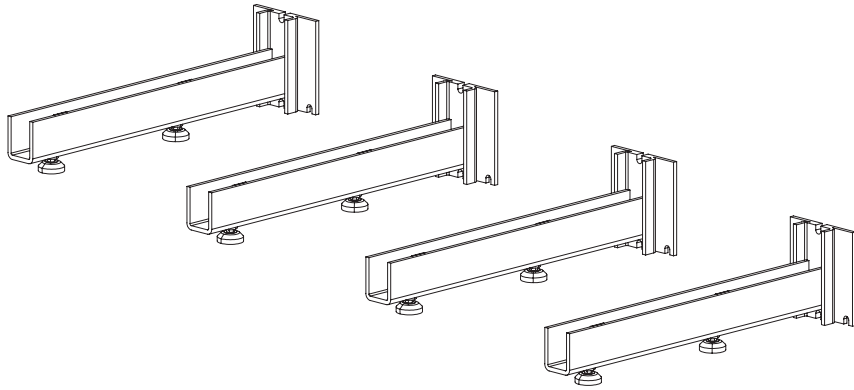
Floor Sign Module (x1)



Riser

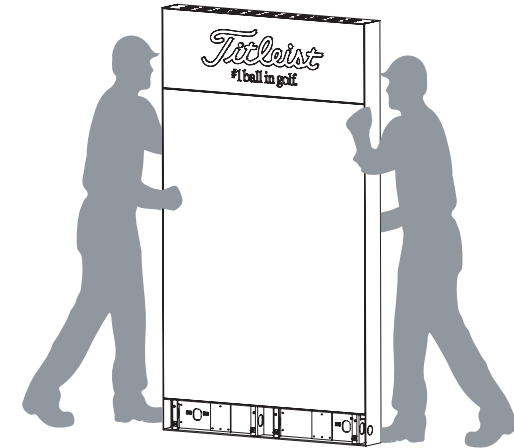
Installation Instructions

1



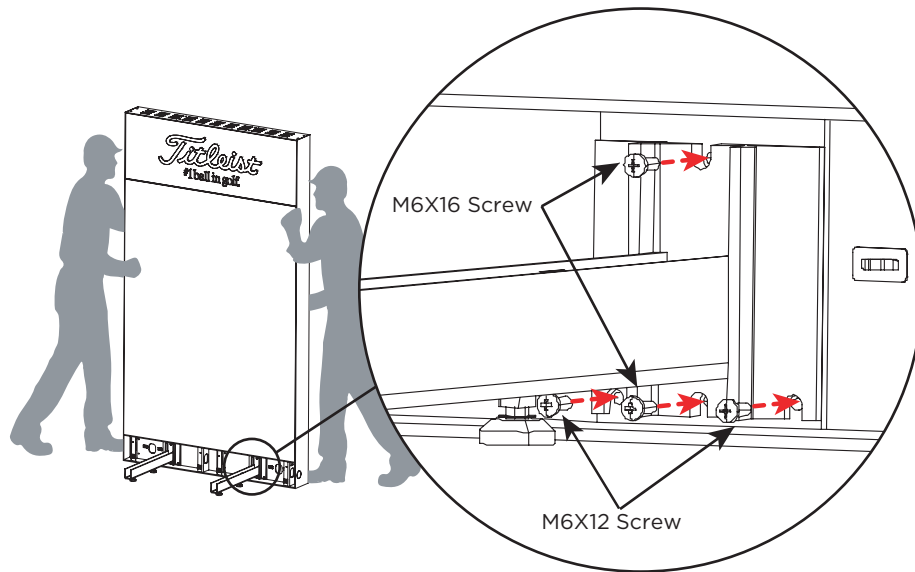
Unpack the 4 black support feet.

2



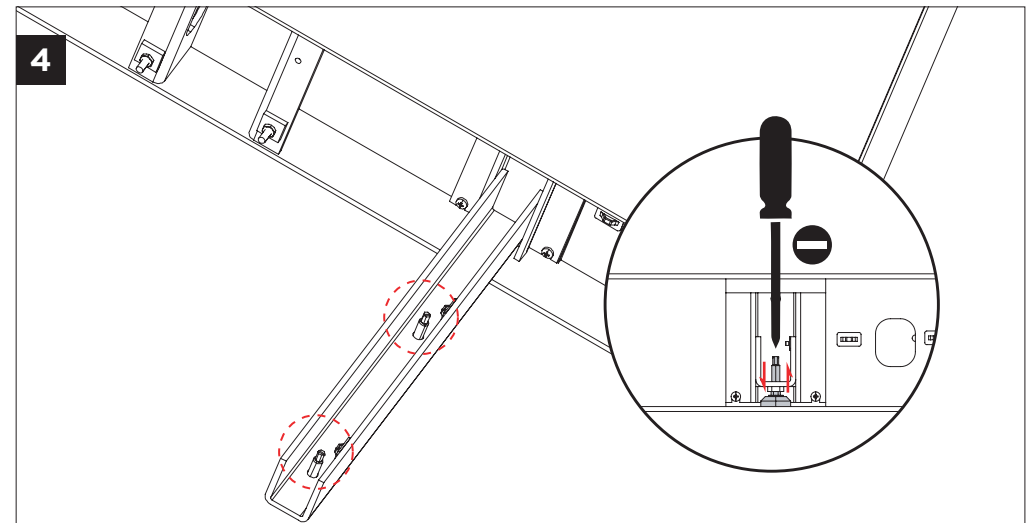
Stand the display upright, have 2 people hold the divider/lightbox while one person sets up the support legs/feet.

3



Secure 4 support feet with screws.
Remember to have 2 people supporting the divider/lightbox.

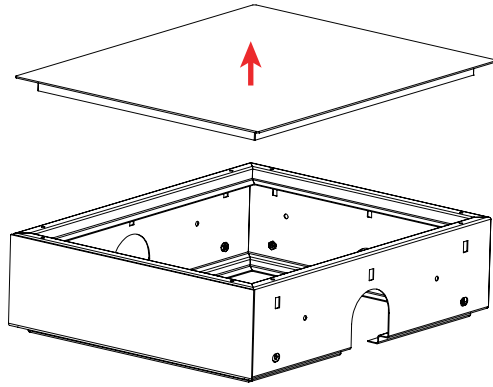
4



Use a Flat head standard screwdriver to adjust the support feet height if needed to make sure the divider/lightbox is level on the floor.

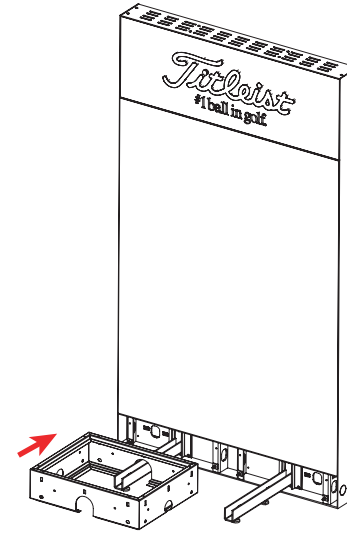
Installation Instructions

5



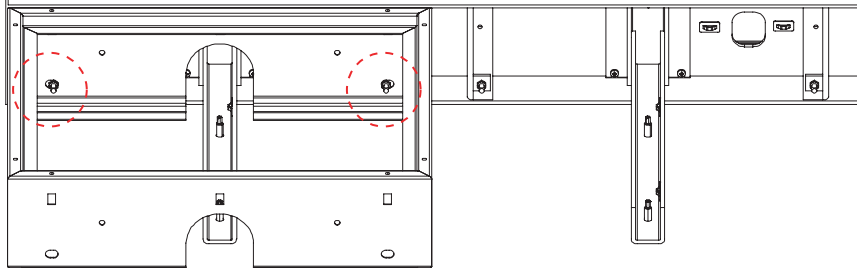
Take off the tile cover to install the tile onto the divider.

6



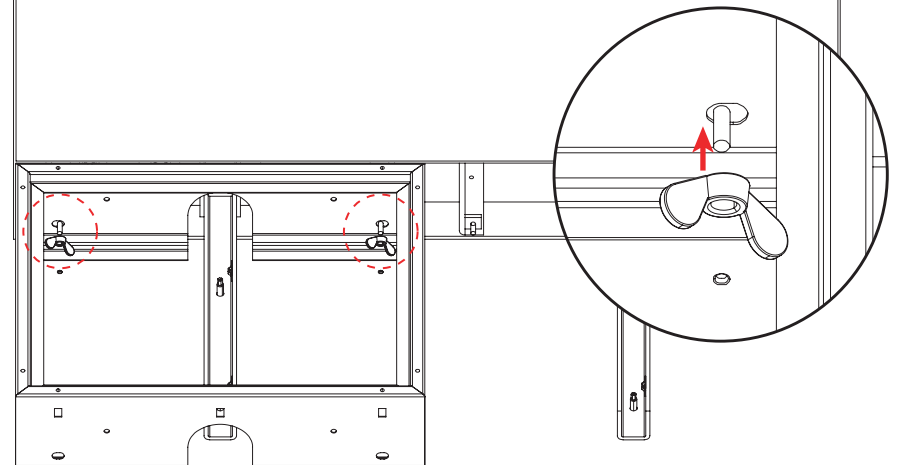
Find the side of the tile with the cutout and fit it over the installed display foot.

7



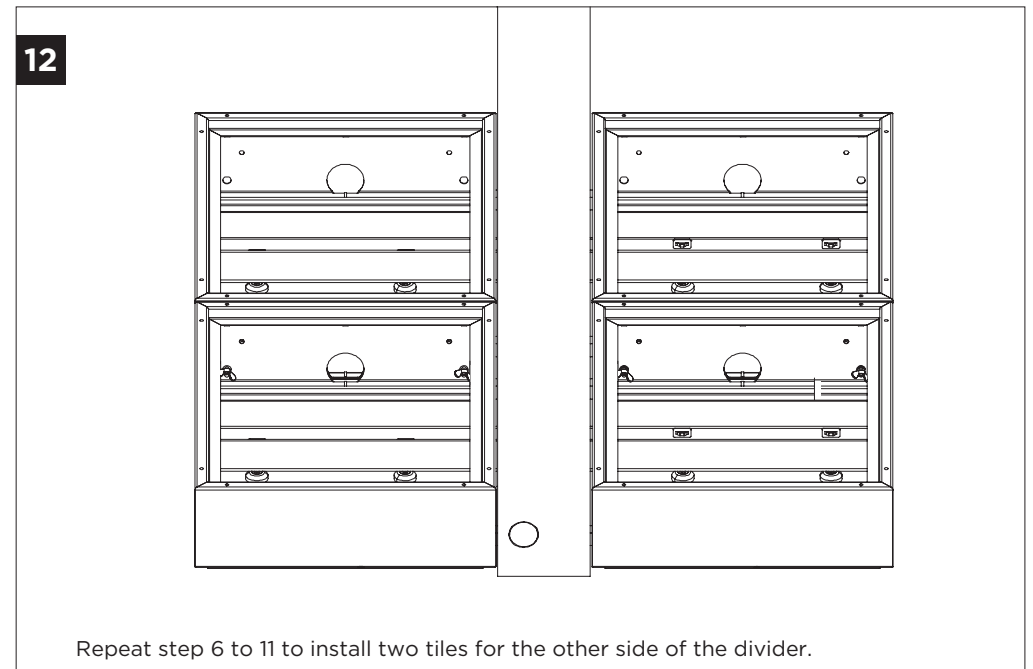
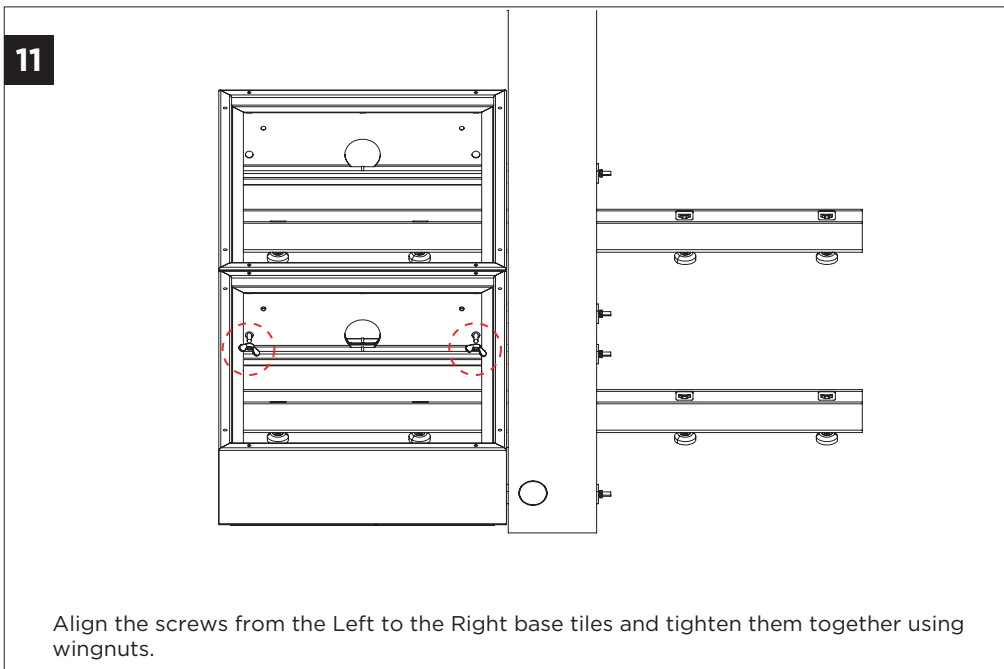
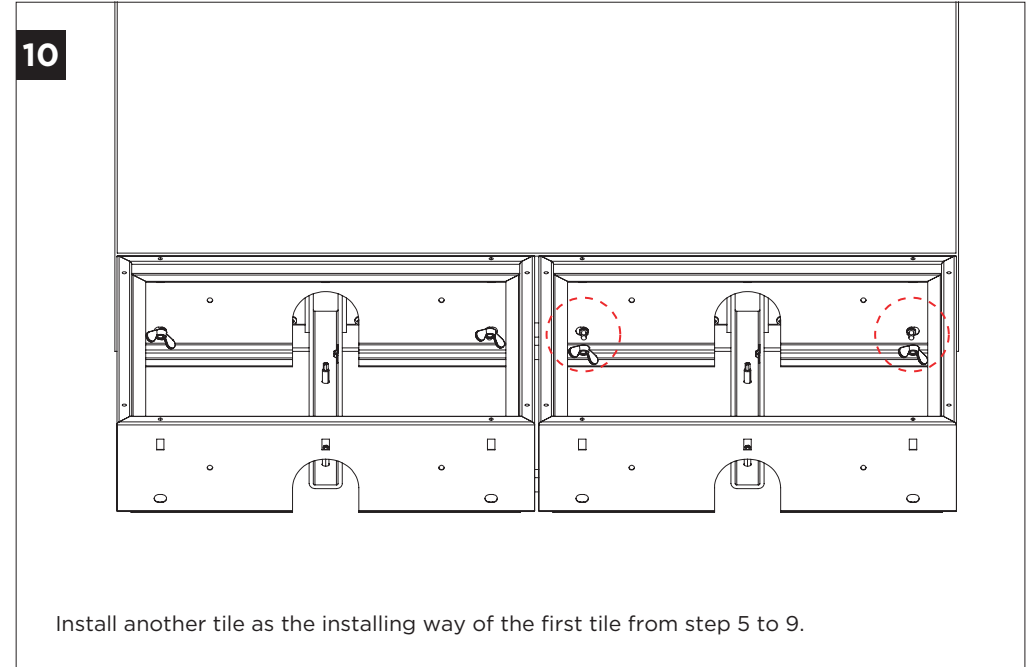
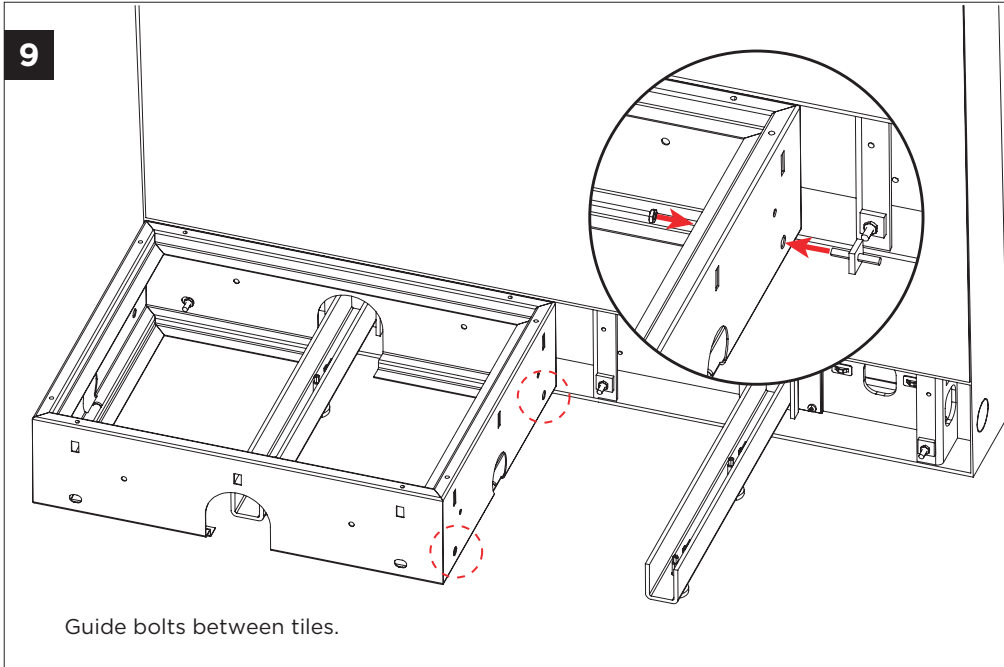
Guide the bolts from the display wall thru the tile.

8



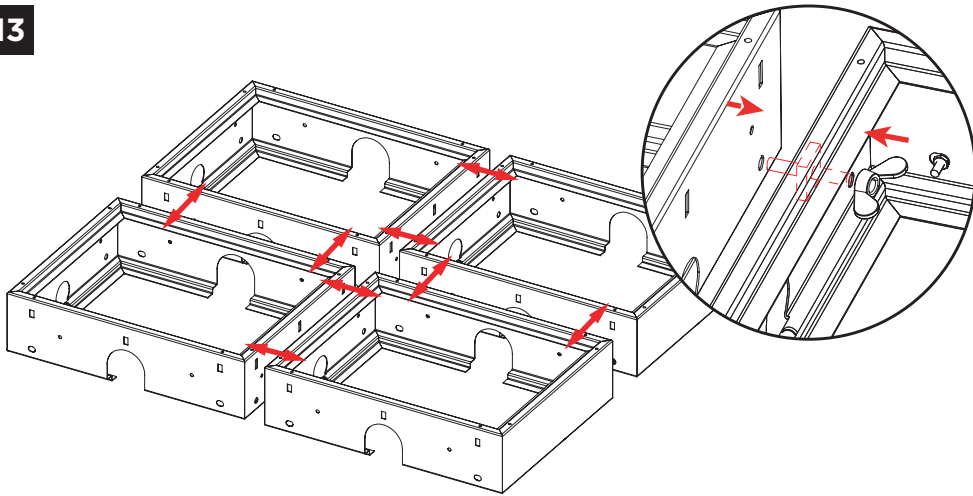
Using the wingnut to tighten the display wall and tile up.

Installation Instructions



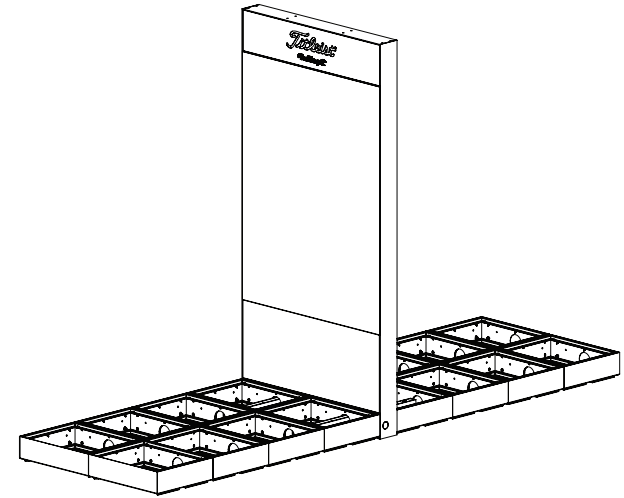
Installation Instructions

13



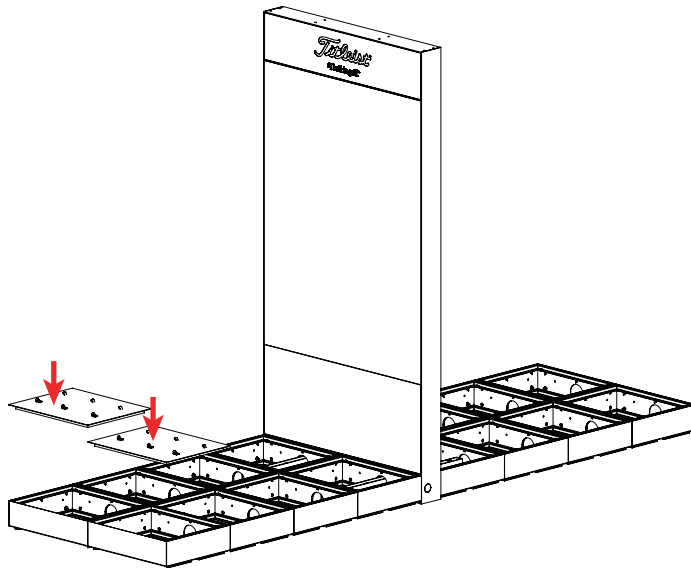
Locate two new tiles and secure them up to two tiles currently installed with wingnuts.

14



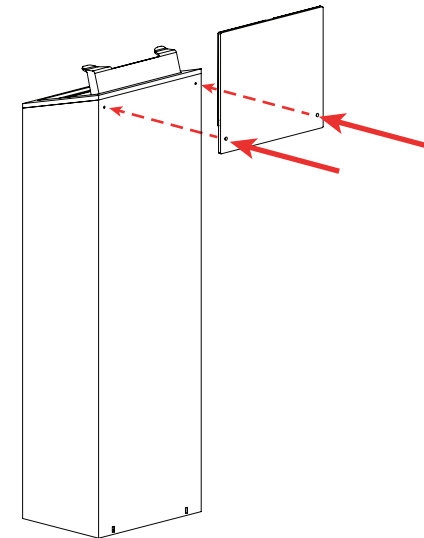
Get a setup of 8 tiles at both sides of the divider.

15



Replace the end tile cover with hooks on.

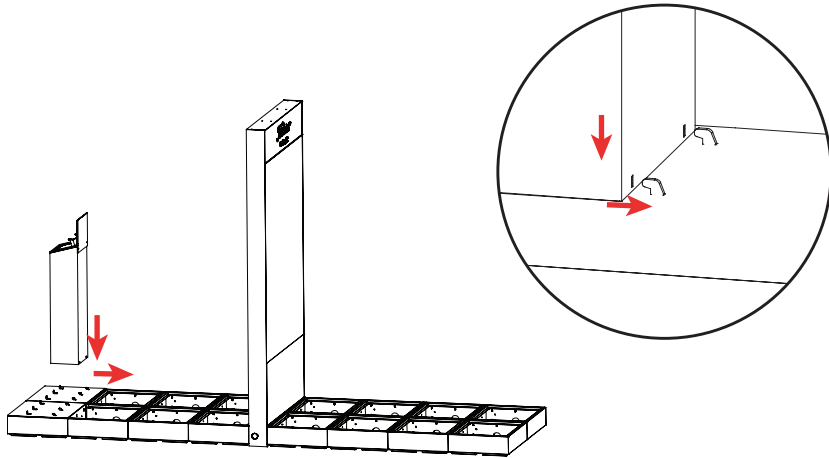
16



Install the sign holder with two M4X12 flat screw .

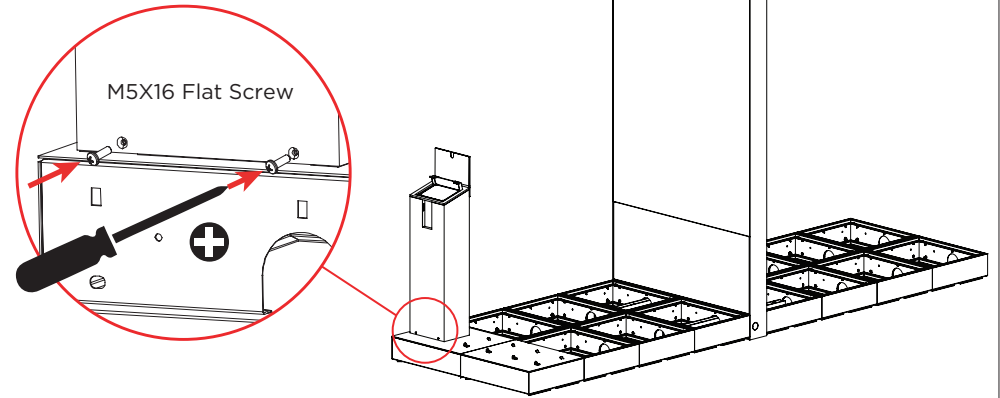
Installation Instructions

17



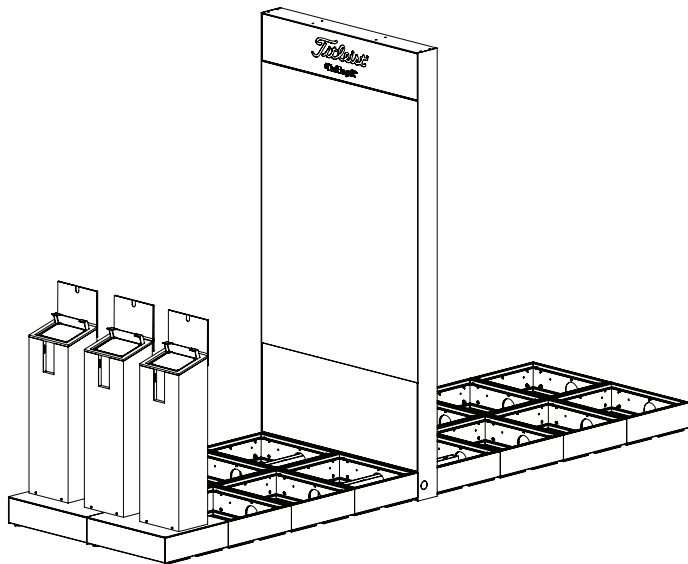
Place the pedestal onto the brackets.

18



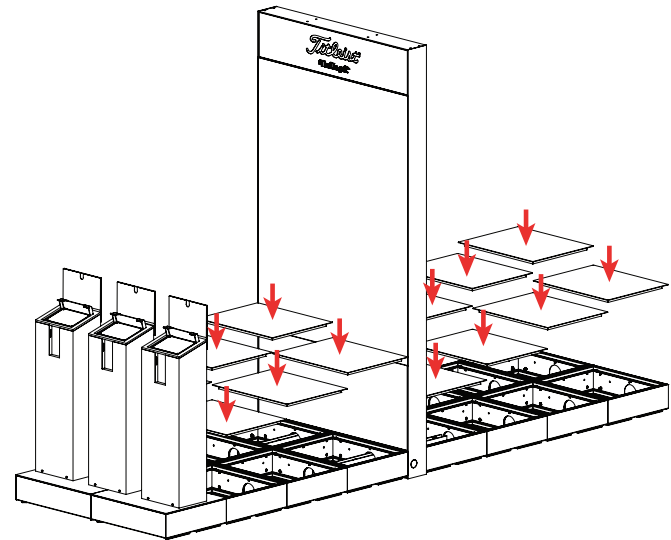
Screw in the screws from bottom front to secure the pedestal.

19



Repeat the step 16 and 18 to install other pedestals.

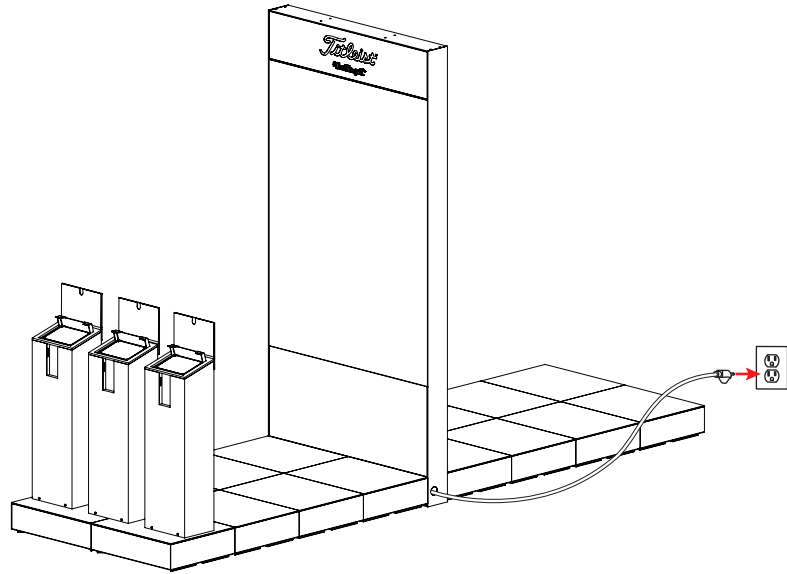
20



Replace the tile covers.

Installation Instructions

21



Power on to verify functionality.

TECHNICAL INFORMATION

Display wiring diagram

21A0193-B01-E013



21A0193-B01-E013



21A0193-B01-E011

Light Box

19R0929-A01-C038

19R0929-A03-E016



19A0974-A00-E001

